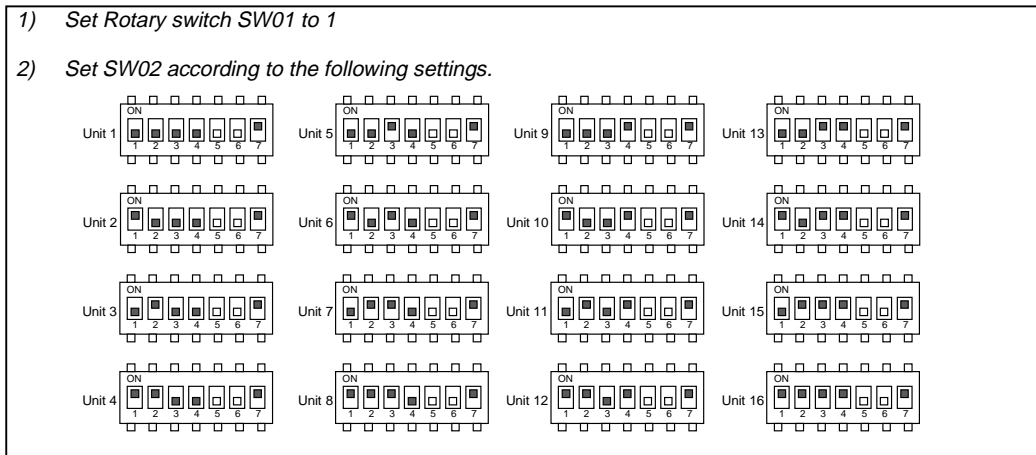
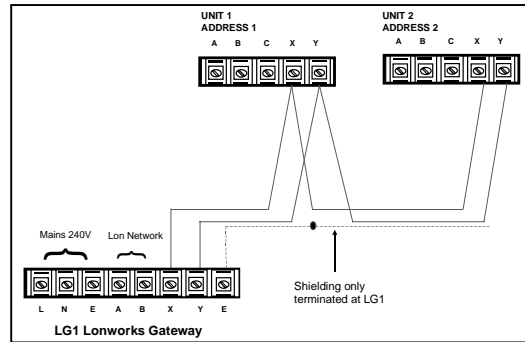


Toshiba Installation and Commissioning

- 1) All units (if possible) should be placed on the X-Y network. B-C Slave wiring should NOT be used
- 2) The X-Y network should be wired as a daisy chain from the panel where the LG1 is located to each unit. Multiple cables should not be run out from the panel, refer to Toshiba instructions for more details.
- 3) If more than 16 units are installed, then the units should be divided into groups of 16 or less and each group wired and addressed separately. An LG1 interface (and LTX) is required for every 16 units
- 4) If remote controllers are used, they should only be wired to the MASTER via ABC, The slave BC connection should NOT be installed if the slaves are on the X-Y network. Slave control is performed by the BMS.
- 5) All units on X-Y network should be setup with SW01 rotary switch set to 1. All units are 'masters' on the X-Y. Slave groups are created in software. SW02 should be set to the unit number using the following dip switch settings. **Note that the indoor board must be re-powered for this addressing to take effect.**



- 6) To commission the system, instead of using a remote controller the network should be commissioned using a Central Controller available from Toshiba. This works on the X-Y network and will confirm that the unit addresses are set up correctly. It allows units to be individually run and shows the fault code status for each unit.
- 7) **Once the system is commissioned , the X-Y network cable can be simply transferred from the central controller to the Toshiba LG1.** Refer to the Toshiba LG1 installation instructions for further details of X-Y network wiring and DIP switch settings for address allocation.

LTX-21 Iss2.00